



Product availability: Stock - Normally stocked in distribution facility



Main

| | |
|----------------------------|--|
| Range of Product | Modicon M340 automation platform |
| Product or Component Type | Counter module |
| Number of Channels | 8 |
| Maximum counting frequency | 10000 Hz |
| Number of inputs | 2 single mode) 3 special dual phase mode) |
| Input compatibility | 19.2...30 V 2-wire/3-wire proximity sensor incremental encoder with push-pull outputs, 10...30 V totem pole |
| Input voltage | 24 V DC type 3 |

Complementary

| | |
|----------------------------|--|
| Counter functions | Up/Down counter 32-bit counter counting Frequency meter Loop (modulo) counting Count events Down counting |
| Cycle time | 5 Ms |
| Isolation voltage | 1500 V 60 s |
| Input type | High speed |
| Input voltage limits | 30 V |
| Input current | 2 MA at 11 V |
| Voltage state 1 guaranteed | 11...30 V |
| Current state 1 guaranteed | >= 6 mA |
| Voltage state 0 guaranteed | < 5 V |
| Current state 0 guaranteed | <= 1.5 mA |
| Electrical connection | 1 connector 20 pins |
| Current consumption | 200 mA 3.3 V DC bus 80 mA 24 V DC sensor |
| Module format | Standard |
| Net Weight | 0.25 Lb(US) (0.113 kg) |

Environment

| | |
|---------------------------------------|--|
| Ambient air temperature for operation | 32...140 °F (0...60 °C) |
| Relative Humidity | 10...95 % without condensation |
| IP Degree of Protection | IP20 |
| Directives | 2014/35/EU - low voltage directive 2014/30/EU - electromagnetic compatibility |
| Protective treatment | TC |

Ordering and shipping details

| | |
|-----------------------|----------------------|
| Category | 18160 - MODICON M340 |
| Discount Schedule | PC34 |
| GTIN | 3595863910131 |
| Nbr. of units in pkg. | 1 |
| Package weight(Lbs) | 5.04 Oz (143 g) |
| Returnability | Yes |
| Country of origin | FR |

Packing Units

| | |
|------------------------------|-----------------------|
| Unit Type of Package 1 | PCE |
| Package 1 Height | 2.05 In (5.2 cm) |
| Package 1 width | 4.33 In (11 cm) |
| Package 1 Length | 4.65 In (11.8 cm) |
| Unit Type of Package 2 | S02 |
| Number of Units in Package 2 | 15 |
| Package 2 Weight | 5.27 Lb(US) (2.39 kg) |
| Package 2 Height | 5.91 In (15 cm) |
| Package 2 width | 11.81 In (30 cm) |
| Package 2 Length | 15.75 In (40 cm) |

Offer Sustainability

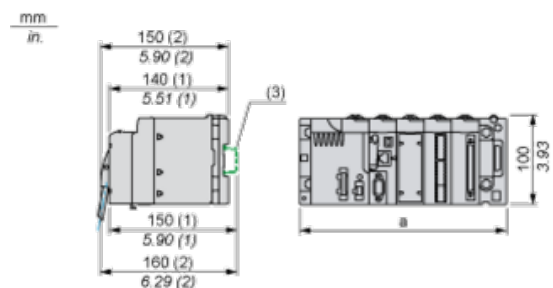
| | |
|----------------------------|---|
| Sustainable offer status | Green Premium product |
| California proposition 65 | WARNING: This product can expose you to chemicals including: Lead and lead compounds, which is known to the State of California to cause cancer and birth defects or other reproductive harm. For more information go to www.P65Warnings.ca.gov |
| REACH Regulation | REACH Declaration |
| REACH free of SVHC | Yes |
| EU RoHS Directive | Pro-active compliance (Product out of EU RoHS legal scope) EU RoHS Declaration |
| Mercury free | Yes |
| RoHS exemption information | Yes |
| China RoHS Regulation | China RoHS Declaration |
| Environmental Disclosure | Product Environmental Profile |
| Circularity Profile | End Of Life Information |
| WEEE | The product must be disposed on European Union markets following specific waste collection and never end up in rubbish bins. |

Contractual warranty

| | |
|----------|-----------|
| Warranty | 18 months |
|----------|-----------|

Modules Mounted on Racks

Dimensions



(1) With removable terminal block (cage, screw or spring).

(2) With FCN connector.

(3) On AM1 ED rail: 35 mm wide, 15 mm deep. Only possible with BMXXBP0400/0400H/0600/0600H/0800/0800H rack.

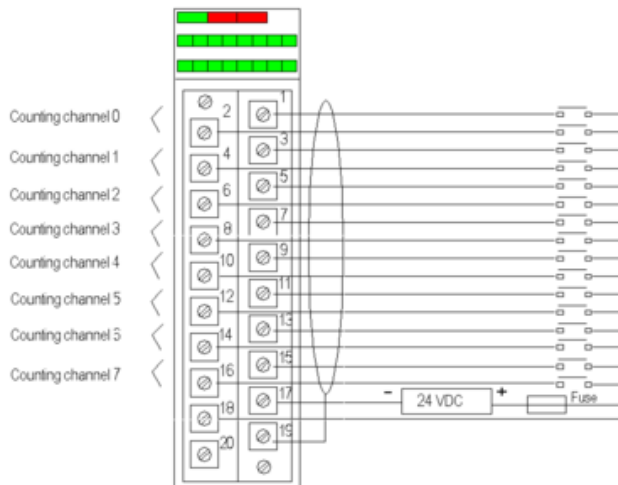
| Rack references | a in mm | a in in. |
|----------------------------|---------|----------|
| BMXXBP0400 and BMXXBP0400H | 242.4 | 09.54 |
| BMXXBP0600 and BMXXBP0600H | 307.6 | 12.11 |
| BMXXBP0800 and BMXXBP0800H | 372.8 | 14.68 |
| BMXXBP1200 and BMXXBP1200H | 503.2 | 19.81 |

Counting Module Wiring

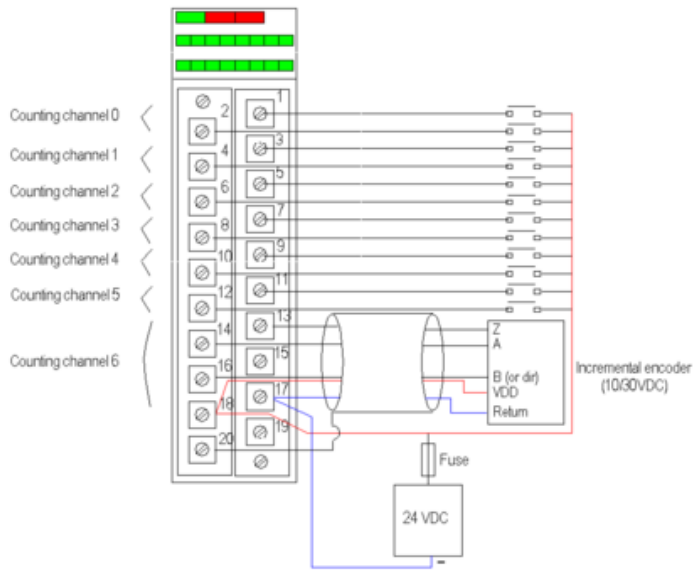
Pin Assignments

| | | | |
|--|----|----|---|
| IN_A input for channel 0 | 2 | 1 | IN_AUX input for channel 0 |
| IN_A input for channel 1 or IN_B input for channel 0 | 4 | 3 | IN_AUX input for channel 1 |
| IN_A input for channel 2 | 6 | 5 | IN_AUX input for channel 2 |
| IN_A input for channel 3 or IN_B input for channel 2 | 8 | 7 | IN_AUX input for channel 3 |
| IN_A input for channel 4 | 10 | 9 | IN_AUX input for channel 4 |
| IN_A input for channel 5 or IN_B input for channel 4 | 12 | 11 | IN_AUX input for channel 5 |
| IN_A input for channel 6 | 14 | 13 | IN_AUX input for channel 6 |
| IN_A input for channel 7 or IN_B input for channel 6 | 16 | 15 | IN_AUX input for channel 7 |
| VDC + power supply for sensors | 18 | 17 | Return + 24 V power supply for sensors |
| Functional earth, for shield continuation | 20 | 19 | Functional earth, for shield continuation |

Sensor Connection Example



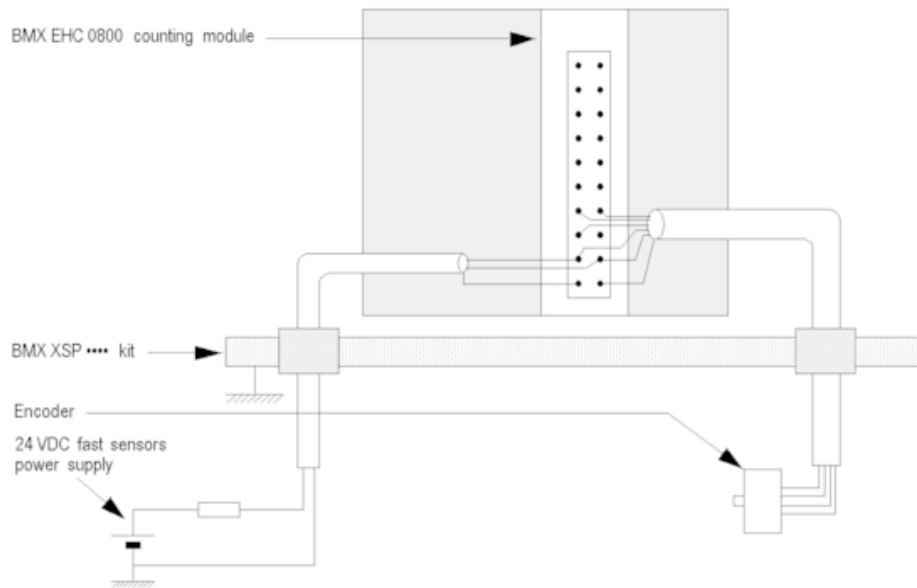
Incremental Encoder Connection Example for Axis Control



Channels 0 to 5 are still used in single mode.

Channel 7 is no longer available.

Recommended Circuit for a Highly Disturbed Environment Using BMXXSP... Electromagnetic Protection Kit



Product Life Status : **Commercialised**